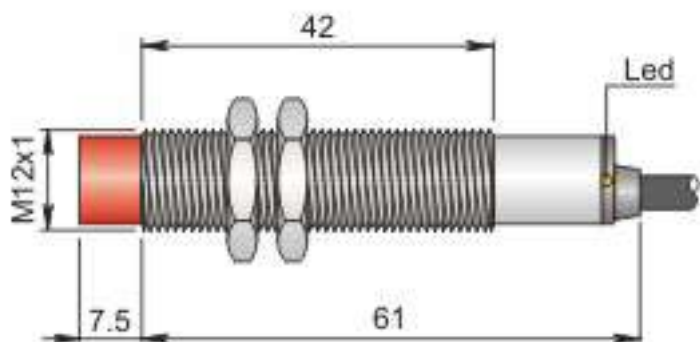




CODE: I12000107 DESCRIPTION: SI12-CE4 PNP NO



KEY: ■ Standard switching distance ★ Extended switching distance ▲ Embeddable ● Not embeddable

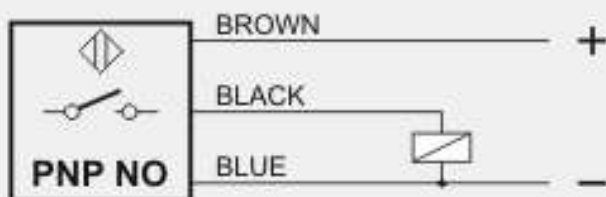
TECHNICAL CHARACTERISTICS

POWER SUPPLY :	DIRECT CURRENT
WORKING VOLTAGE :	10 ÷ 30 V
SWITCHING DISTANCE (S _n) :	4 mm
OUTPUT LOGIC :	PNP
OUTPUT TYPE :	NO
HYSTERESIS (% S _n) :	< 10%
MAX SWITCHING FREQUENCY :	1000 Hz
REPEATABILITY (% S _n) :	≤ 3
MAX OUTPUT CURRENT :	200 mA
ABSORPTION :	< 15 mA @ 24Vdc
VOLTAGE DROP :	< 1.8 V
SHORT CIRCUIT PROTECTION :	PRESENT
LED :	PRESENT
TEMPERATURE LIMITS :	-25 ÷ 85 °C
IP RATING :	IP 67
HOUSING MATERIAL :	NICKELLED BRASS
MECHANICAL CHARACTERISTICS :	M12x1
CONNECTION TYPE :	CABLE 2 m
CABLE TYPE :	3x0.25 PVC
WEIGHT :	85 g



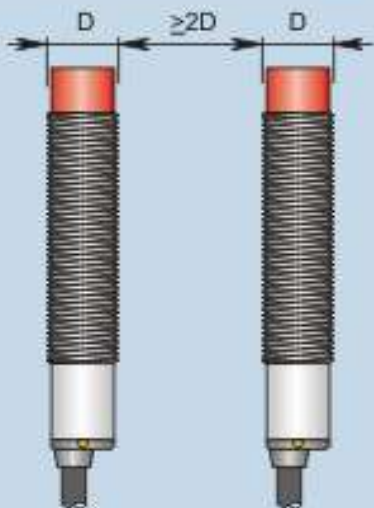
CODE: I12000107 DESCRIPTION: SI12-CE4 PNP NO

3 WIRES CABLE - LOGIC PNP NO

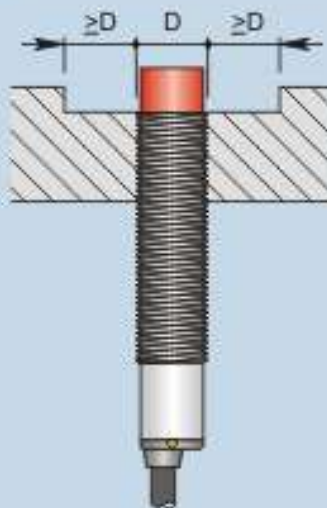


INSTRUCTIONS FOR CORRECT INSTALLATION

NOT EMBEDDABLE



Side by side mounting



Non flush mounting